

THIS DRAWING IS UNPUBLISHED. RELEASED FOR PUBLICATION
 © COPYRIGHT - By - ALL RIGHTS RESERVED.

LOC		DIST		REVISIONS			
P	LTR	DESCRIPTION		DATE	DWN	APVD	
	C4	REVISED PER ECO-14-002693		01MAR2014	NK	RH	

SPECIFICATIONS:

BREAK-BEFORE-MAKE

MATERIAL:

- SLIDER, GLASS FILLED NYLON, UL94-HB, BLACK.
- BASE, GLASS FILLED PBT, BLUE.
- COVER, GLASS FILLED PBT, BLUE.
- SLIDE PLATE, STAINLESS STEEL.
- ACTUATOR, PPS, BLACK.
- ROCKER CONTACT(GOLD), COPPER ALLOY, GOLD OVER NICKEL PLATING.
- ROCKER CONTACT(SILVER), COPPER ALLOY PLUS COINED SILVER.
- FIXED CONTACT/TERMINAL (GOLD), COPPER ALLOY, GOLD OVER NICKEL PLATE.
- FIXED CONTACT/TERMINAL(SILVER), COPPER ALLOY PLUS COINED SILVER, GOLD OVER NICKEL PLATE.

ELECTRICAL:

- CONTACT RATING(SILVER)-3A@115V AC OR 1.5A@230V AC
- CONTACT RATING(GOLD)-.4VA MAX@20V DC OR PEAK AC
- INITIAL CONTACT RESISTANCE-20 MILLIOHMS MAX.
- INSULATION RESISTANCE-1,000 MEGOHMS MIN @ 500V DC
- DIELECTRIC STRENGTH- 500 V RMS @ SEA LEVEL.
- LIFE EXPECTANCY- 30,000 OPERATIONS.

MECHANICAL:

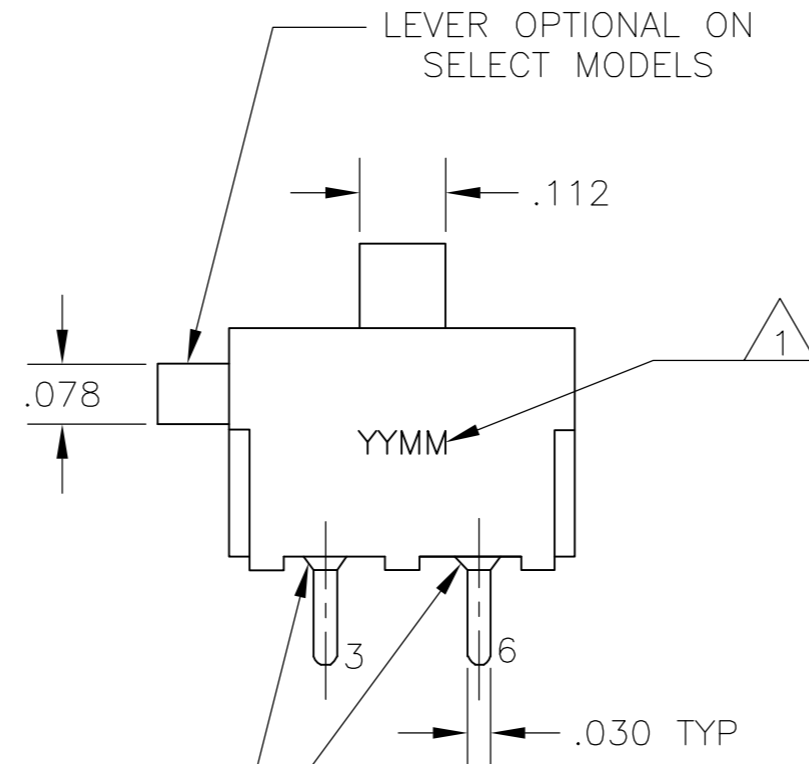
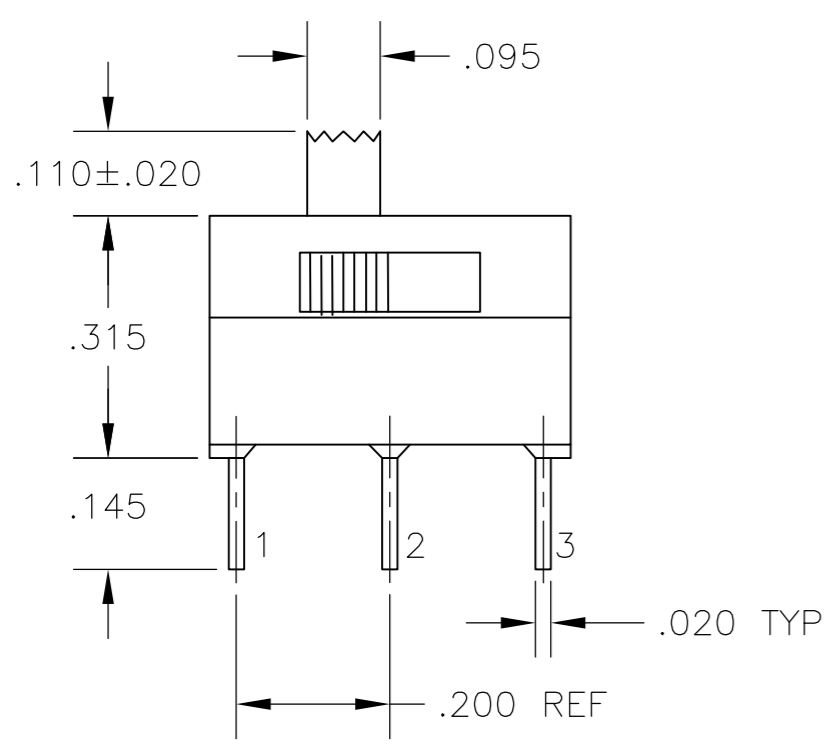
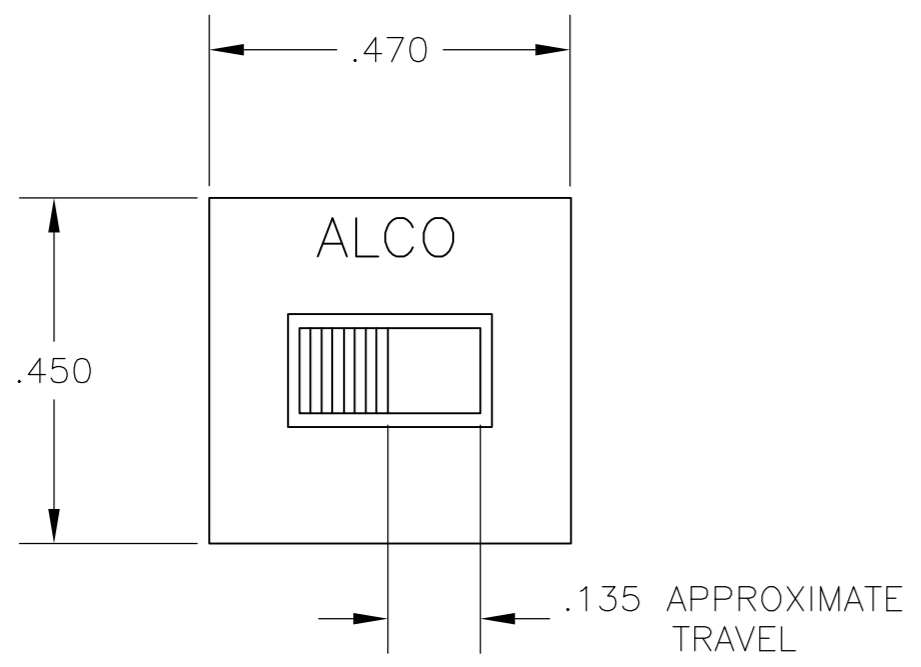
- OPERATING FORCE- 600+/-300 GRAMS.
- TRAVEL-.120

ENVIRONMENTAL:

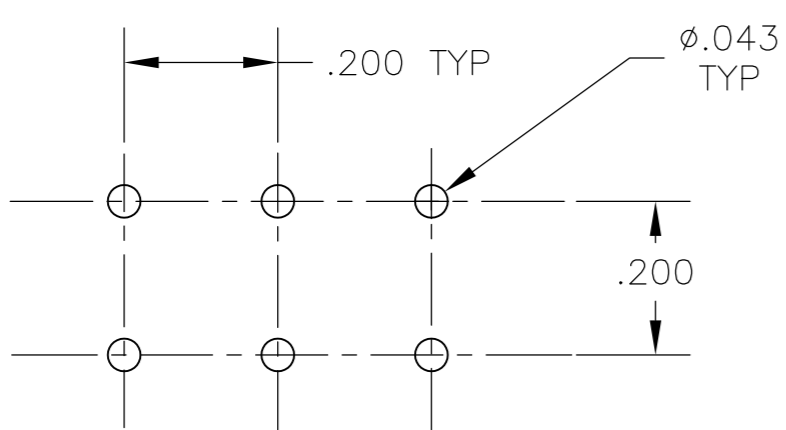
- OPERATING TEMPERATURE- -20°C TO +65°C
- STORAGE TEMPERATURE- -40°C TO +100°C
- SOLDER HEAT RESISTANCE- PER 109-202 CONDITION B.
- SOLDERABILITY PER EIA 364-52, CLASS 2, CATAGORY 1.



DATE CODE MARKING YMM (YEAR, MONTH).



EPOXY SEALED TERMINALS



RECOMMENDED HOLE LAYOUT
 TOLERANCE ±.002 UNLESS OTHERWISE NOTED

2,1 & 5,4	NONE	2,3 & 5,6	DPDT	SILVER	MSSA214N04	5-1437580-2
2,1 & 5,4	OFF	2,3 & 5,6	DPDT	GOLD	MSSA211PG04	5-1437580-1
2,1 & 5,4	NONE	2,3 & 5,6	DPDT	GOLD	MSSA211NGRA04	5-1437580-0
2,1 & 5,4	NONE	2,3 & 5,6	DPDT	GOLD	MSSA211NG04	4-1437580-9
			TYPE	PLATING	ALCO PART NO.	PART NO.

THIS DRAWING IS A CONTROLLED DOCUMENT.		DWN R BROWN 20APR04				
DIMENSIONS: INCHES		CHK M SARVER 20APR04				
TOLERANCES UNLESS OTHERWISE SPECIFIED:		APVD M SARVER 20APR04	NAME SLIDE SWITCH, DP (MSS-211 & 214)			
0 PLC ± -		PRODUCT SPEC	SIZE CAGE CODE DRAWING NO RESTRICTED TO			
1 PLC ± -		APPLICATION SPEC	A2 00779 C=4-1437580-9			
2 PLC ± -		WEIGHT -	SCALE 4:1 SHEET 1 of 1 REV C4			
3 PLC ± .010		CUSTOMER DRAWING				
4 PLC ± -						
ANGLES ± 1°						
FINISH -						